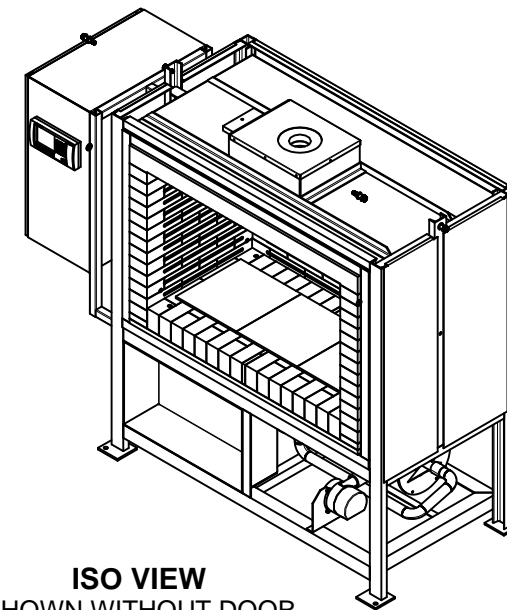


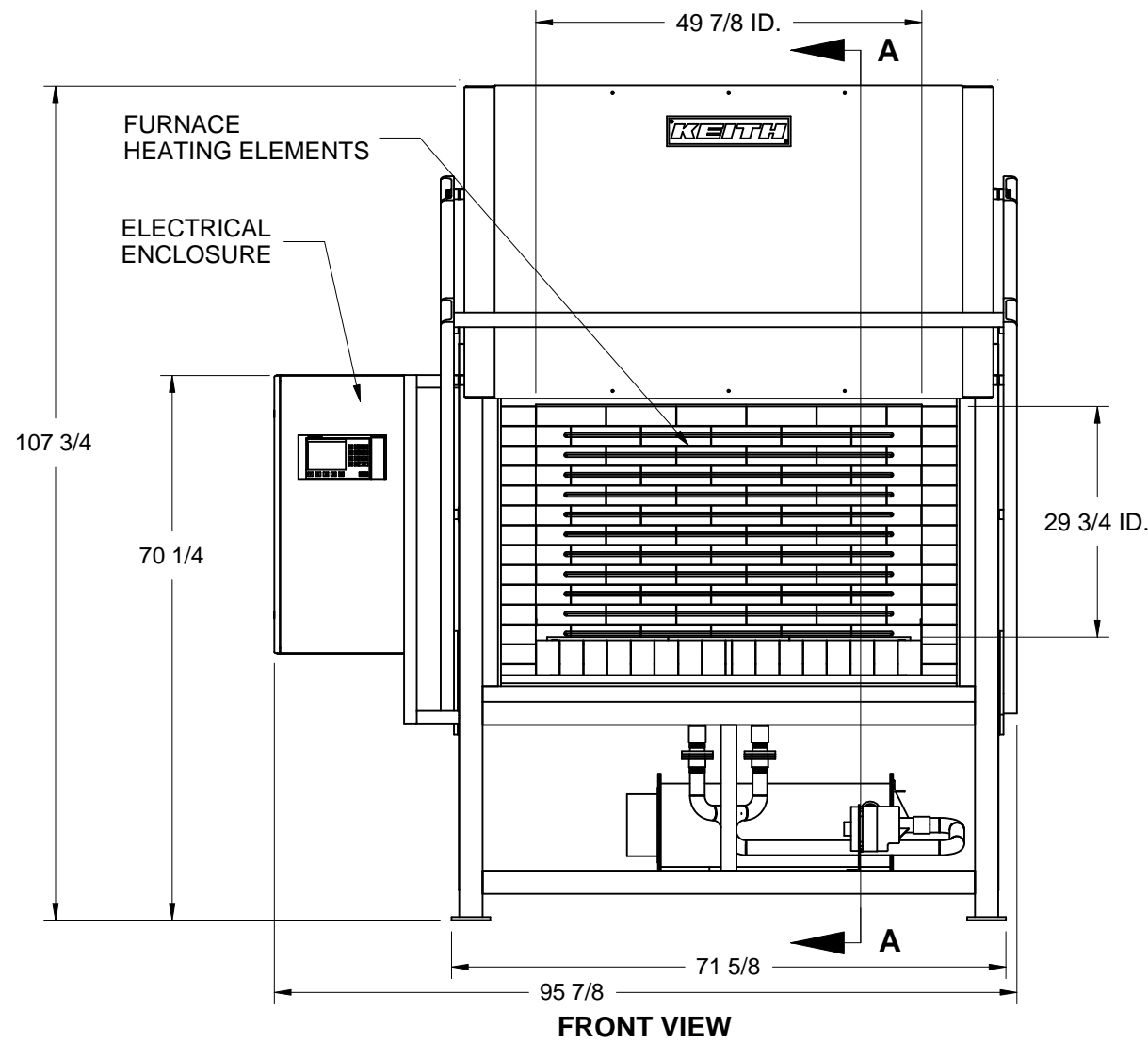
TOP VIEW

CUSTOMER APPROVAL SIGNATURES

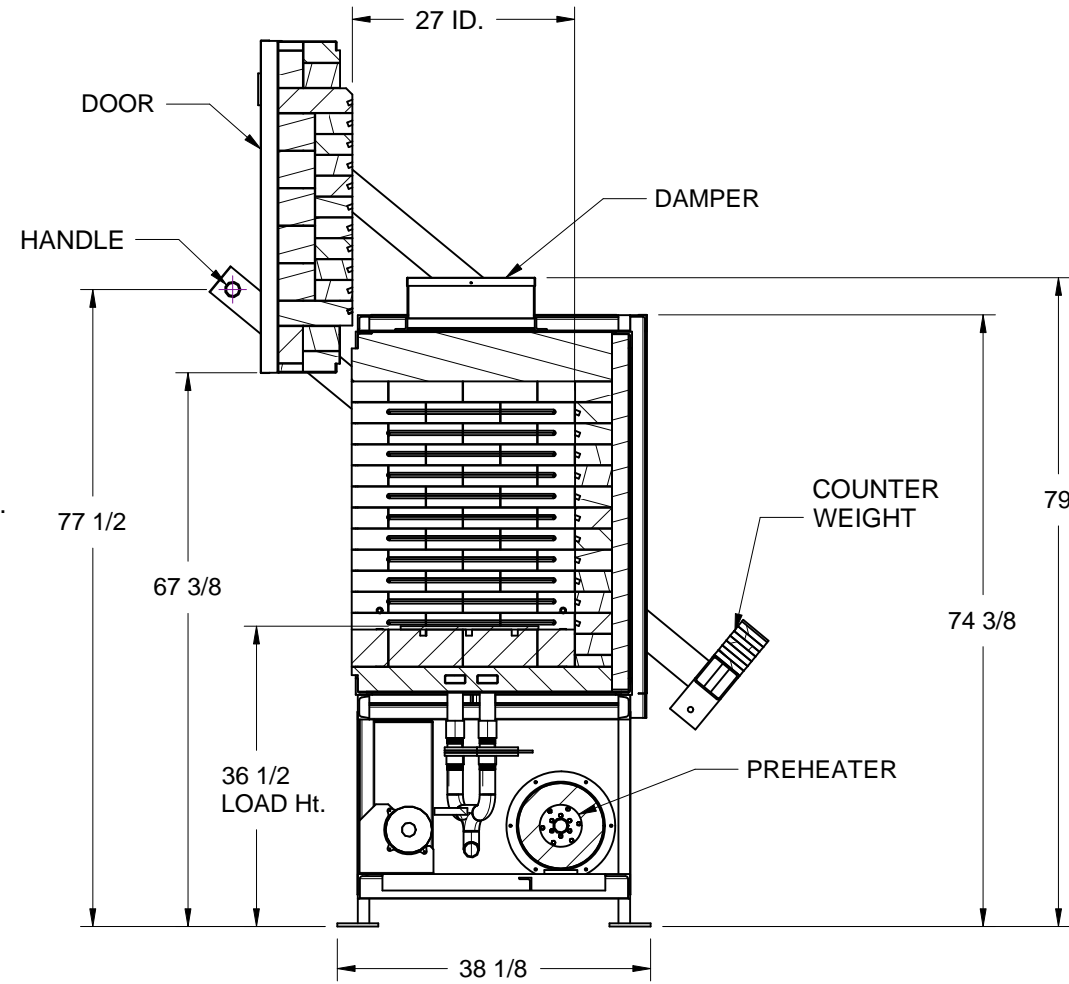
APPROVED BY: _____ DATE: _____
 APPROVED BY: _____ DATE: _____



ISO VIEW
SHOWN WITHOUT DOOR



FRONT VIEW



SECTION VIEW

REV	DATE	DESCRIPTION	BY

KEITH
 THE LEADER IN THERMAL AUTOMATION
 KEITH COMPANY
 8223 LOCH LOMOND DRIVE
 PICO RIVERA, CA 90660-2888 U.S.A.
 TEL: (562)948-3636 FAX: (562)949-3696
 WWW.KEITHCOMPANY.COM
 © 2008 W.P. KEITH CO., INC.
 ALL RIGHTS RESERVED.

DESCRIPTION
**FRONT LOADING
 BISQUE FURNACE
 GENERAL ASSEMBLY**
 MODEL
 KFR 46 23 16.5 2250
 CUSTOMER NAME
 CERAMATEC

DRAWN
EOM
 DATE
 10-14-09
 CHECKED BY

 DATE

 SCALE
NTS
 SIZE
B
 JOB NO.
8449
 DWG NO.
20460
 W/S
08
 SHEET
1 OF 1
 REV

USED ON